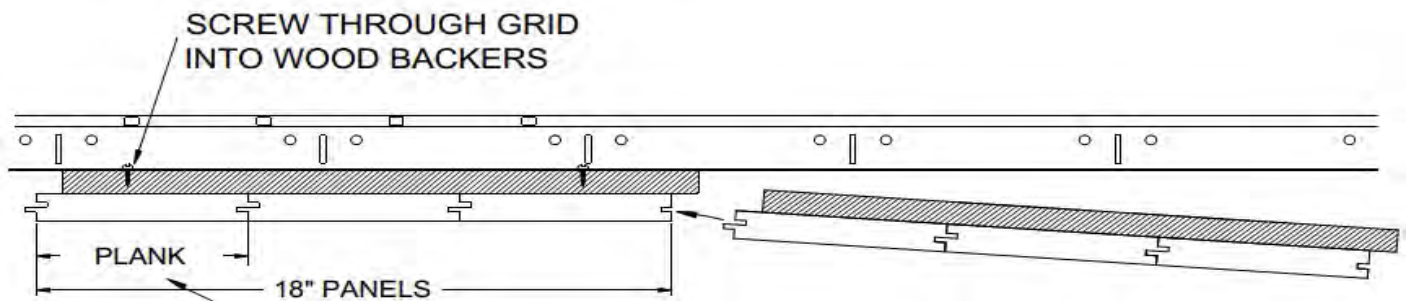




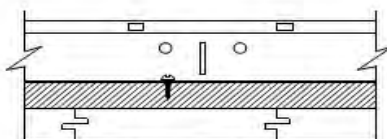
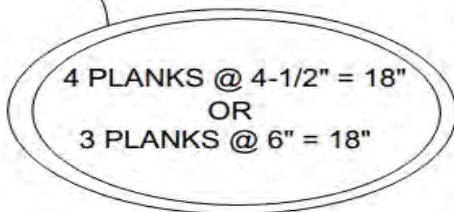
The Acoustic Wood Designs Panelized Linear Closed Wood Ceiling Systems offers a visually attractive and easily installed wood ceiling system. Wood ceiling systems can offer an un-paralleled level of warmth and richness to any architectural space.

## KEY FEATURES

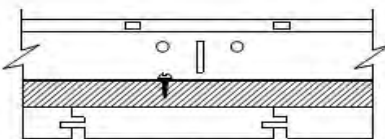
- Cost effective and functional system
- Fast and simple installation using standard heavy duty grid familiar to all experienced installers
- Standard range of solid wood designs available
- Wide range of wood veneer finishes on 3/4" particle board or MDF core
- Interior or exterior finishes available
- Range of edge trims for floating ceiling conditions
- Custom stains available
- Factory assembled panels come in 4', 6' or 8' lengths as standard
- Custom stains available



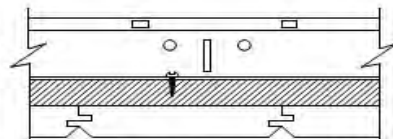
## INSTALLATION



BUTT JOINT



"U" GROOVE JOINT



"V" GROOVE JOINT

## JOINT TYPES

## STANDARD WOOD SPECIE



**ASH**



**CHERRY**



**MAPLE**



**BIRCH**



**RED OAK**



**WHITE OAK**

**Note: The full range of specie and veneer cuts is available**

**Note: Value Engineering Option - Poplar with a custom stain**



### **FIRE RETARDANCY**

**AWD Panelized Linear Closed Ceiling Systems can be manufactured to achieve ASTM E84 Class 1 or Class A retardancy.**



### **COMPLIANCE WITH SEISMIC CODES**

**AWD Panelized Linear Closed Ceiling Systems when installed on to a seismic code compliant suspension grid will satisfy seismic code requirements. Consult local codes or a licensed engineer for any additional requirements.**



### **SUSTAINABILITY**

**AWD Panelized Linear Closed Ceilings Systems are manufactured responsibly utilizing sustainable raw materials.**



211 Martingale Dr. Conway MO 65632  
417.718.5575 | [info@acousticwooddesigns.com](mailto:info@acousticwooddesigns.com)  
**acousticwooddesigns.com**